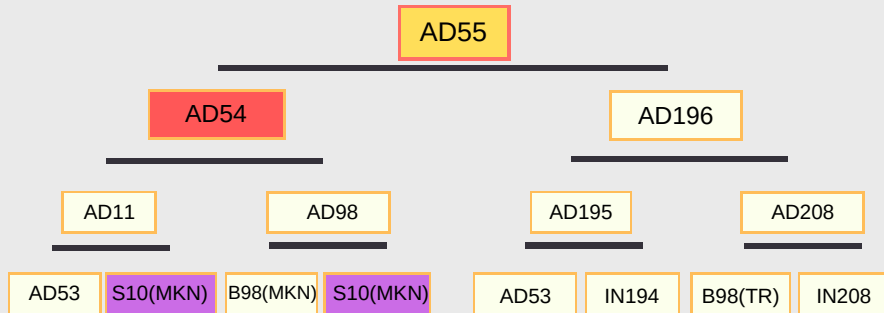
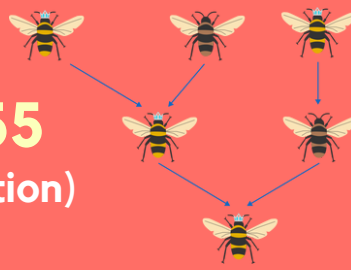


# PEDIGREE: AD55

(instrumental insemination)



	Swarm tendency	Temper	Behaviour	Honey yield	Average yield, apiary
AD55	6	5.8	5.6	41	37

Average yield in sistergroup: 39.5 kg. = 3.6 % over stock average

**Evaluation scale:** from 1 to 6.

- 1 = very bad. 3 = bad average.
- 4 = good average.
- 5 = great performance.
- 6 = optimum looked for in this feature.

**AD54**

Is a queen of APIS DONAU (RO) who comes from AD98 mated in 2018, descendant G11 of Takab93aR which is a Buckfast from a line of pure meda (Iran)-combination well established.

**AD196**

is a queen of APIS DONAU (RO) mated in 2019. She is a Buckfast who comes from a line of pure meda (Iran) - combination well established.

Queen and Drones have the same ancestors: combination to increase or stabilize some characteristics

**AD:** Apis Donau (RO)  
**IN:** Ivan B. Nielsen (DK)  
**MKN:** Foundation Buckfast Marken(NL)  
**TR:** Thomas Rueppel(DE)

S.C. Apis Donau SRL  
 Dragos Szabo  
 breeding coordinator

Visit us <https://apis-donau.com>

