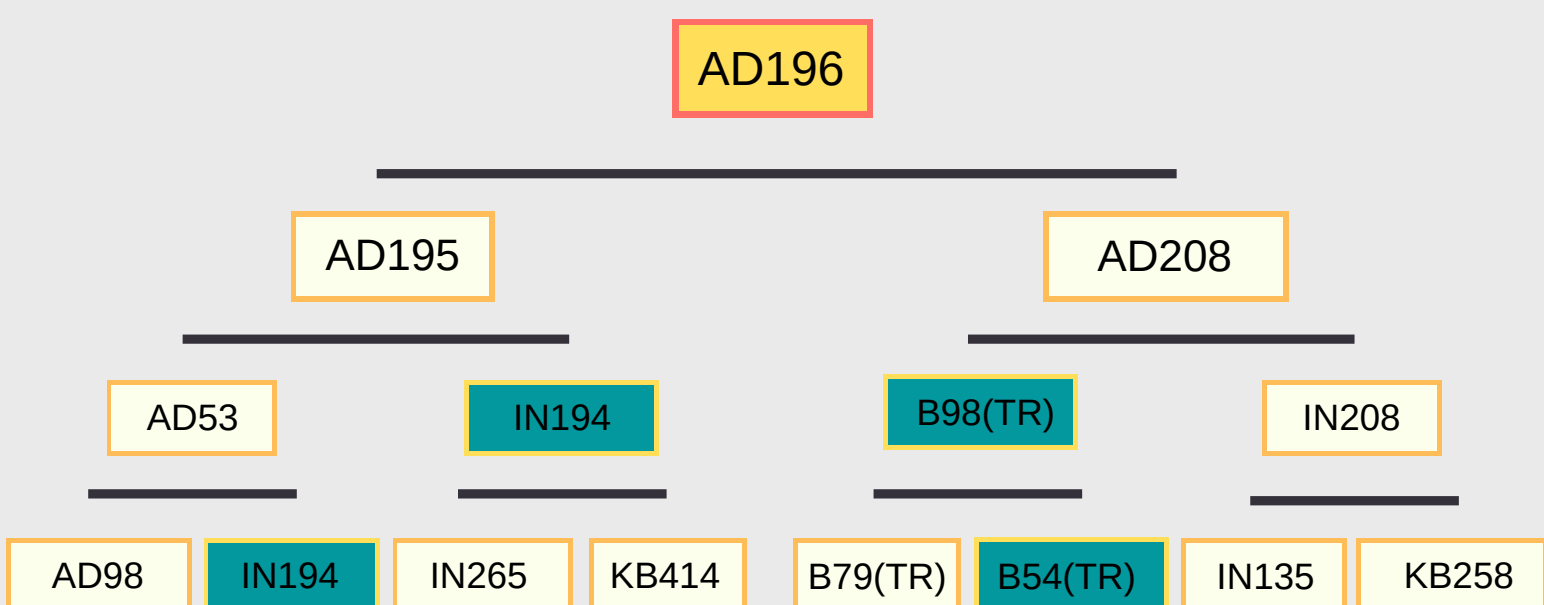
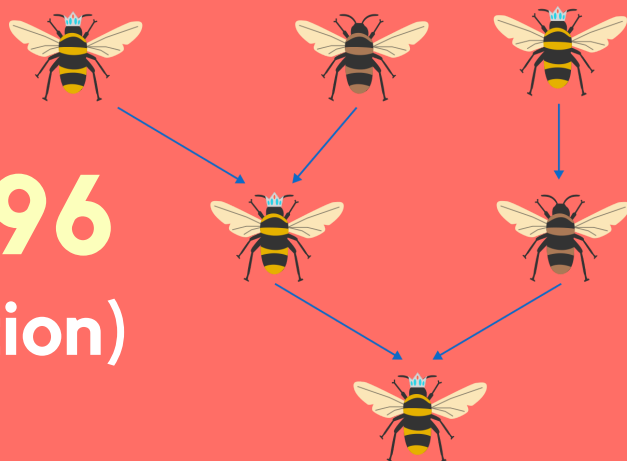


# PEDIGREE: AD196

(instrumental insemination)



	Swarm tendency	Temper	Behaviour	Honey yield	Average yield, apiary
AD196	6	5.6	5.5	44	39

Average yield in sistergroup: 44 kg. = 12.8 % over stock average

**Evaluation scale:** from 1 to 6.

1 = very bad. 3 = bad average.

4 = good average.

5 = great performance.

6 = optimum looked for in this feature.

## AD195

is a queen of Apis Donau (RO) mated in 2019. She is a Buckfast who comes from a line of pure meda (Iran) - combination well established.

## AD208

is a queen of Apis Donau (RO) mated in 2018. She comes from a line of caucasica (German origin) combination.

Queen and Drones have the same ancestors: combination to increase or stabilize some characteristics

**AD:** Apis Donau (RO)

**TR:** Thomas Rueppel (DE)

**IN:** Ivan B. Nielsen (DK)

**KB:** Keld Brandstrup(DK)

S.C. APIS DONAU SRL  
Dragos Szabo  
breeding coordinator

Visit us <https://apis-donau.com>

